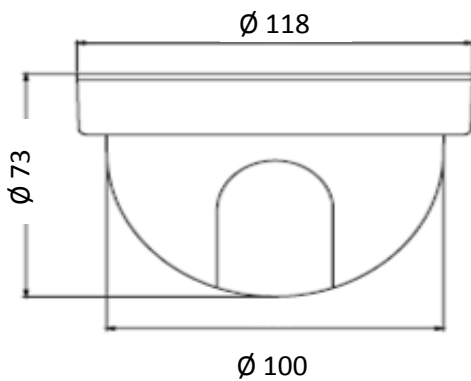




Features

- 1/3" Sony Super Had CCD
- High Image Quality of 530TV-Lines
- OSD Menu
- Day & Night Camera
- Digital Signal Processor (DSP) allows better picture quality
- Digital Noise Reduction
- Backlight Compensation

Dimension



Specifications

MODEL	HCDC-2031OSD
Image Sensor	1/3" Color Sony Super Had CCD
Video Format	60Hz for NTSC, 50Hz for PAL
Total Pixels	537(H) X 505(V) for NTSC, 537 X 597(V) for PAL
S/N ratio	50dB (AGC Off)
Horizontal Resolution	530 TV Line
Shutter Speed	1/60s~1/100,000s for NTSC, 1/50s~100,000s for PAL
Video Signal	BNC 1.0V p-p 75Ohms
Lens	Fixed Board Lens
Min. Illumination	0.1 Lux
Operating Temperature	From -10°C ~ 50°C
Supplied Voltage	DC 8 ~ 14V
Power Consumption	Max. 1.4W
Weight	300g (Approximately)
OSD Menu	
CAMERA ID	ON / OFF
LENS	MANUAL / VIDEO / DC
SHUTTER	AUTO / FLK / FIXED / MANUAL
WHITE BAL.	ATW / AWB / FIXED / MANUAL
FUNCTION	BLC / AGC / DAY NIGHT / PRIVACY / MIRROW / GAMMA/MOTION
ADJUST	CONTRAST / SHARPNESS / CB_GAIN / CR_GAIN
LANGUAGE	ENGLISH / KOREAN / CHINESE 1 / CHINESE 2 / JAPANESE
RESET	
EXIT	