



# Full Height Turnstile



# PAXTER

## Full Height Turnstile

### 120°



### 90°



### INSTALLATION :

on finished floor

### OPTIONS :

- \* addition or installation of card readers, intercom, coin machines etc.
- \* Signal equipment
- \* Multiple installation (side by side)

### FINISHING :

Stainless Steel

- \* Hairline finished 304

Mild steel

- \* Powder coated (black, blue, white)
- \* Special colour requires extra charges

Additional design upon request

### OPERATIONS :

Entry direction

- \* Manual
- \* Locked
- \* By electrically controlled push button
- \* By an access control system

Exit direction

- \* Manual
- \* Locked
- \* By electrically controlled push button
- \* By an access control system

### CONSTRUCTION :

With straight turnstile bars

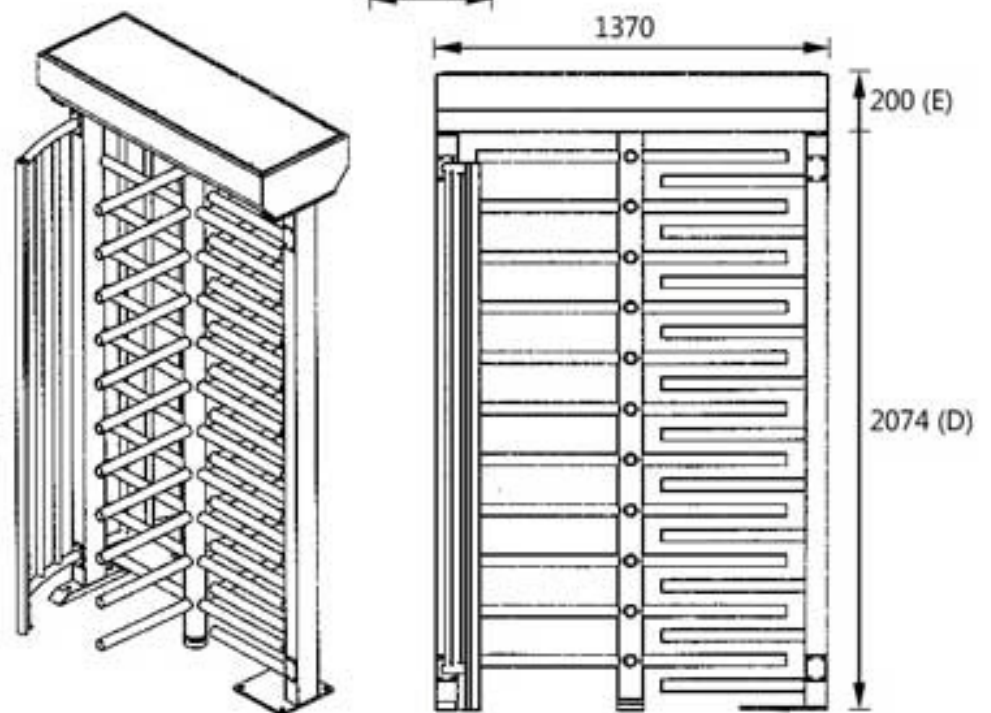
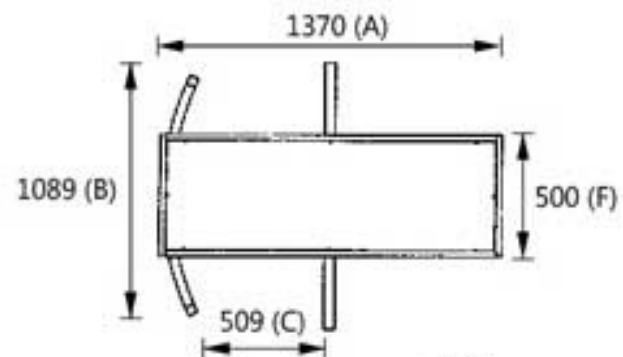
- \* Three-leaves design (120°)
- \* Four-leaves design (90°)

### ELECTRICAL EQUIPMENT :

Control integrated in the unit  
Supply: 230V AC 50Hz

Reader interface

Compatible with access control system standards



### DIMENSIONS (all dimensions in mm)

A	Overall Width	1370
B	Overall Depth	1089
C	Entry Width	509
D	Opening Height	2074
E	Top Casing Height	200
F	Top Casing Width	500

**PAXTER SECURITY & AUTOMATION SDN. BHD.** (362352-W)

No. 32, Jalan PJU 1A/13, Taman Perindustrian Jaya,  
Ara Damansara, 46050 Petaling Jaya,  
Selangor Darul Ehsan, Malaysia.

Tel : +603-7845 9868 (Hunting)

Fax: +603-7845 2868

E-mail: sales@paxter.com.my

Website: www.paxter.com.my